

830-0025

SELF-CENTERING LENS/OPTICS MOUNTS



830-0025-04

830-0025-02

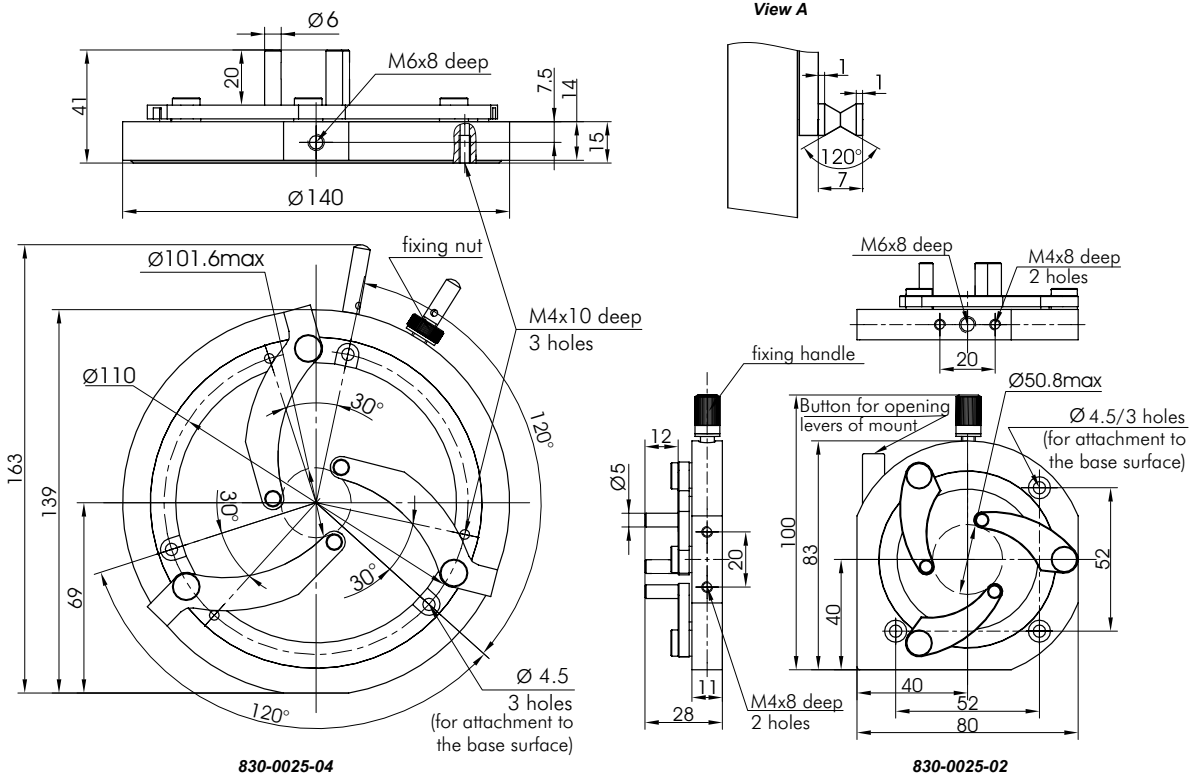
- Automatically centers and holds optics
- Easy insertion and removal of optics
- 3 M4 holes for fixing to flat object
- Reverse operation on request
- Can be motorized
- 4" and 2" optics mount

Self-Centering Lens/Optics Mounts reliably centres and securely holds round optics and cylindrical objects. This device is particularly valuable when lenses of different diameters are being used interchangeably, as repeated centering at constant height is necessary.

The Self-Centering Lens/Optics Mount accommodates optics up to 50.8 mm and is oversized to provide easy finger access for inserting and remaining optics.

When released the three arms grip the lens, automatically centering the lens within the holder. Unlike other models, 830-0025 gripping mechanism controlled by pressing vertical piston down the socket. Because of such design mount can be easily motorized. The mount can be modified on request for reverse operation – mount is closing while pushing vertical piston down. This way mount can be used to hold rings and hollow cylinders from inside.

Code	Description	Weight, kg	Price, EUR
830-0025-02	for 2" (50.8 mm) optics	0.19	99
830-0025-04	for 4" (101.6 mm) optics	0.38	140



830-0025-04

830-0025-02

OPTICAL TABLES

BRACKETS & RAILS

BASE MOUNTS & ACCESSORIES

OPTICAL MOUNTS

OPTICAL POSITIONERS

BASE POSITIONERS

TRANSLATION & ROTATION STAGES

ADJUSTMENT SCREWS

MOTORIZED POSITIONERS